

SERVICE BULLETIN

Installing the ICDS-10/8 Program/Data Card

Notes

It is recommended that installation of the program/data card be performed by an authorized Sagem Avionics dealer.

Required Items

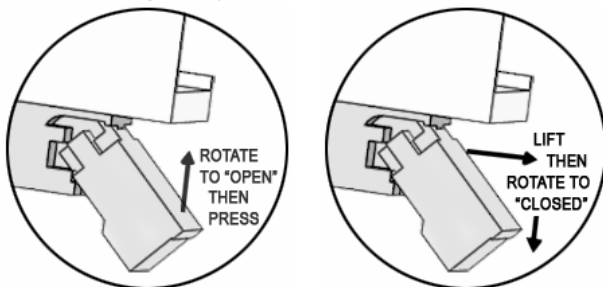
- ICDS-(x)
- Flat-Head Screwdriver
- Phillips Screwdriver
- Compact Flash Card (P/N 425-0550-100; 425-0550-80)

Summary

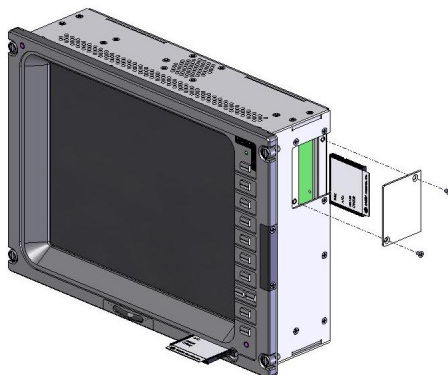
The ICDS Series Display may require update or replacement of the program/data card. This requires that the former card be removed from the ICDS and returned to the factory.

This bulletin describes how to remove and install the program/data card in the SAGEM ICDS-10/8.

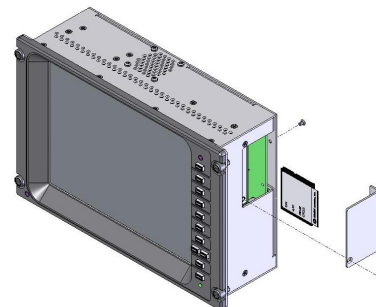
ICDS-8 Hinged Eject Button Detail



ICDS-10



ICDS-8



Service Instructions

► To remove the program/data card:

1. Loosen the four DZUS fasteners.
2. Partially pull the ICDS from the aircraft panel until the program/data card cover on the right side of the ICDS is accessible.
3. Remove the screws from the card cover; set aside the screws and cover.
4. Remove the card from the ICDS:
 - a. **ICDS-8 only:** Rotate the hinged black eject button to its "open" position (toward the card).
 - b. Press the eject button to unlock the program/data card, then pull the card from the slot.
5. Return the program/data card to Sagem Avionics.

Note: Unreturned cards are subject to a core charge.

► To install the program/data card:

1. With the card cover and its screws removed, insert the program/data card into the card slot. When secure, the card clicks into place and the eject button raises.
2. **ICDS-8 only:** Lift and rotate the hinged black eject button to its "closed" position (away from the card).
3. Place and secure the card cover.
4. Slide the ICDS back into the aircraft panel, then secure the DZUS fasteners.